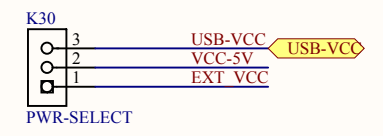
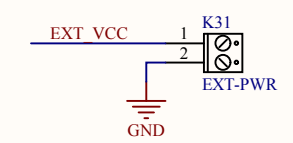
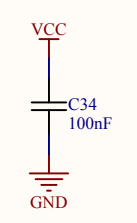
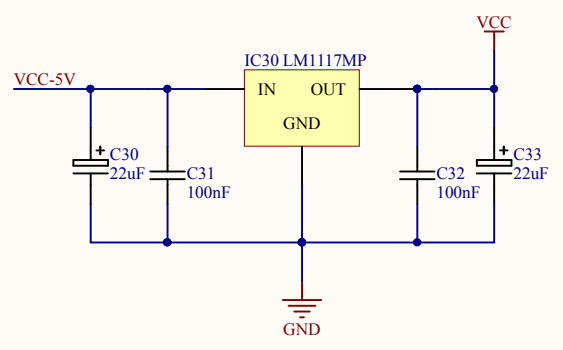
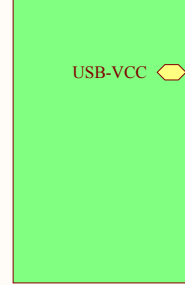


Title		
Size A4	Number	Revision
Date: 11. 2. 2016	Sheet of	
File: C:\Users\...\IO.SchDoc	Drawn By:	

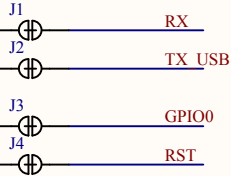
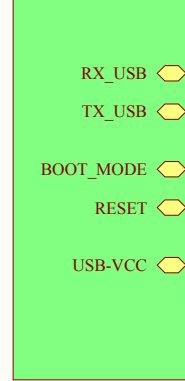


Title		
Size	Number	Revision
A4		
Date:	11. 2. 2016	Sheet of
File:	C:\Users\...\PowerSource.SchDoc	Drawn By:

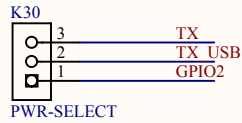
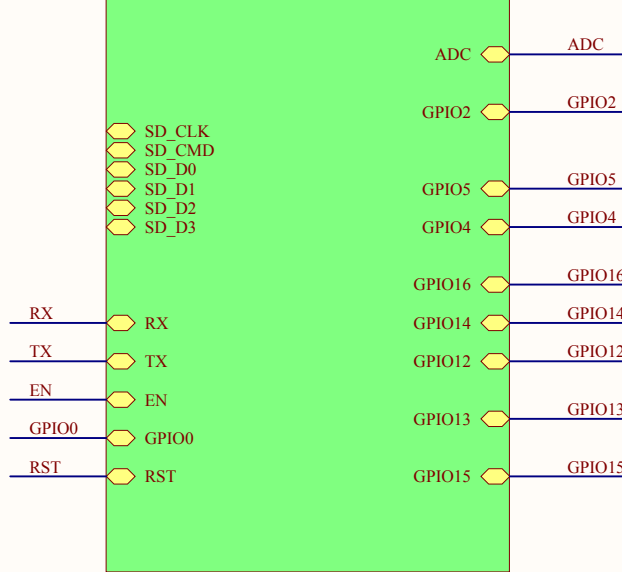
PowerSource
PowerSource.SchDoc



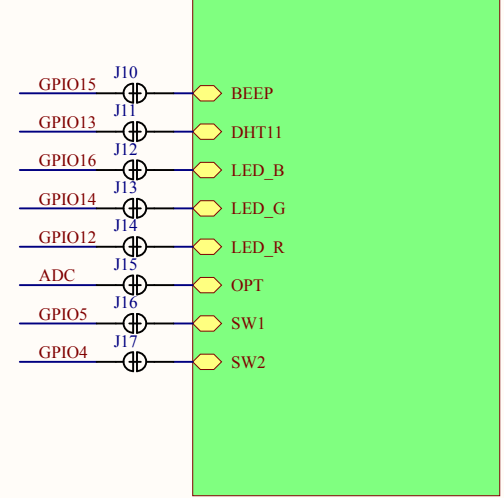
USB
USBSerial.SchDoc



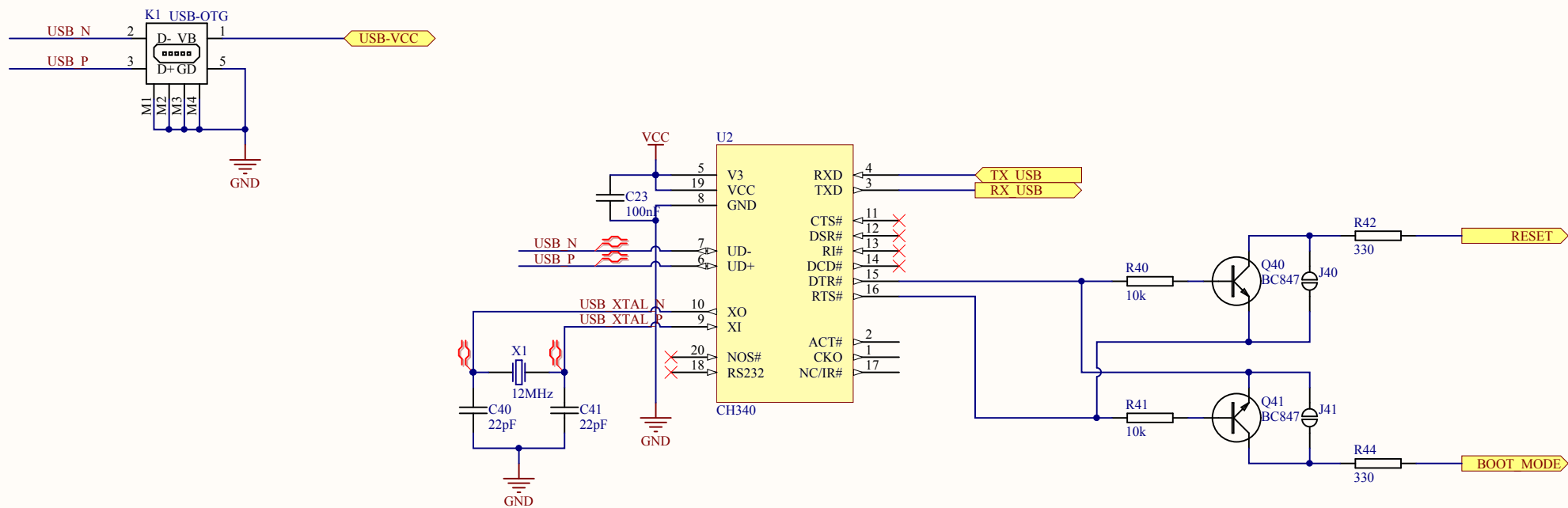
ESP8266
board.SchDoc



IO
IO.SchDoc



Title		
Size A4	Number	Revision
Date:	11. 2. 2016	Sheet of
File:	C:\Users\...\top.SchDoc	Drawn By:



Title		
Size	Number	Revision
A4		
Date:	11. 2. 2016	Sheet of
File:	C:\Users\...\USBSerial.SchDoc	Drawn By:

